



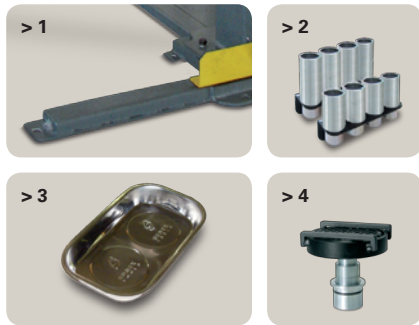
> **SPL35**
Hydraulic two-post lifts



> SPL35 Hydraulic two-post lifts

The SPL35 is the most cost-effective entrance into the world of hydraulic lifts with two columns. Compact dimensions, multipartite supporting arms design and

an ergonomic control allow for efficient operation in the car repair shop.



> 1 Base frame for poorer concrete quality with low coating thickness (Total height: +17mm)

> 2 Pivoting plate Extension kit (4 x 200 mm). Rotary adaptor extension kit for automobile (4 x 89 mm, 4 x 127 mm).

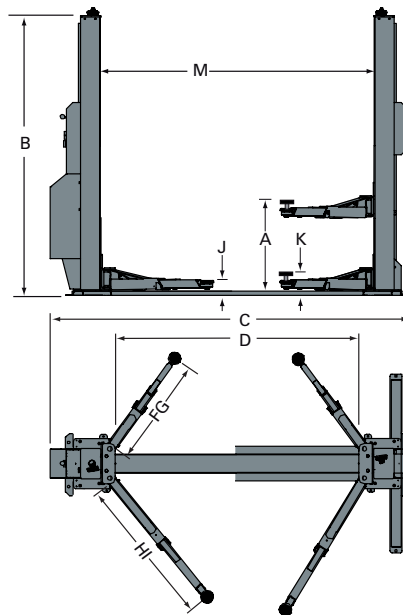
> 3 Tool utility box , magnetically

> 4 Car safety device for pivoting plate with diameter 120 mm



Illustration shows SPL35 with basic frame as option

- > Ground guided bearing cables ensure even lifting and lowering
- > The mechanical safety latch integrated on both columns locks the lift carriage in position in emergency situations and thus ensures maximum safety.
- > The electro-hydraulic design provides for low noise and effective work.
- > Each lifting column features a maintenance-free high pressure cylinder.
- > The supporting arms are automatically locked in position during the lifting operation. Once the lift has been completely lowered, this interlock is automatically released. The very narrow spacing between the locking positions and a manual unlocking function enhance the ease of use.
- > Manual control by conventional two-hand operation and manual safety interlock



SPL35 with/without basic frame

> Model

| | |
|---|--------------|
| Capacity | 3500 kg |
| A. Stroke | 2025 mm |
| B. Overall height | 2748 mm |
| C. Overall width | 3431 mm |
| D. Drive-through width | 2337 mm |
| F. Support bracket length on the front min. | 550 mm |
| G. Support bracket length on the front max. | 1105 mm |
| H. Support bracket length on the rear min. | 876 mm |
| I. Support bracket length on the rear max. | 1472 mm |
| J. Rotary plate height min. | 113 mm |
| K. Rotary plate height max. | 197 mm |
| M. Column spacing, interior dimension | NN |
| Motor performance | 2,2 kW |
| Electrical connection (3 phases) | 400 V, 50 Hz |
| Lifting time | 40 sec. |
| Required ceiling height | NN |

> SPL35

3/2-stage sup. arms

BlitzRotary GmbH
Hüfinger Straße 55
D-78199 Bräunlingen
A DOVER COMPANY

Fon +49.771.9233.0
Fax +49.771.9233.99
info@forwardlift.eu
www.forwardlift.eu



FORWARD[®]
powered by Blitz